

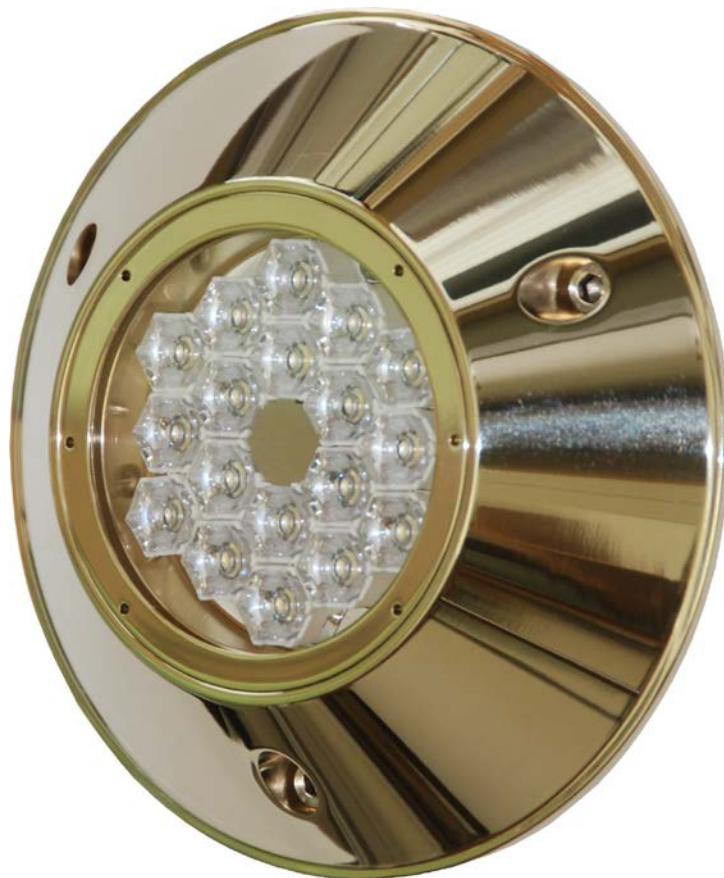
---

# CONVEX

---

MSR18240

UNDERWATER  
LIGHT



Operating Instructions

---

**ASTEL**  
MARINE

# CONTENTS

Preface.....	3
Features.....	3
Precautions.....	3
Controls and Connectors.....	4
Underwater Light CONVEX MSR18240.....	4
Power Supply Unit MPS061000 / MPS061500.....	5
Installation.....	5
Underwater Light CONVEX MSR18240.....	5
Power Supply Unit MPS061000 / MPS061500.....	7
Appearance.....	9
Technical Specifications.....	9
Warranty.....	10
Declaration of Conformity.....	11



## PREFACE

The CONVEX series underwater lights are designed to use the latest LED lighting technology.

The surface-mount designed casings enable very simple installation on the hull without making any bigger holes through the hull under water line.

All the models are available in aluminium bronze and anodized aluminium casings in different colors. The lighting is available in white, blue or green colors or three-color. All the models are designed with 18 power LEDs and suitable power supply units.

## FEATURES

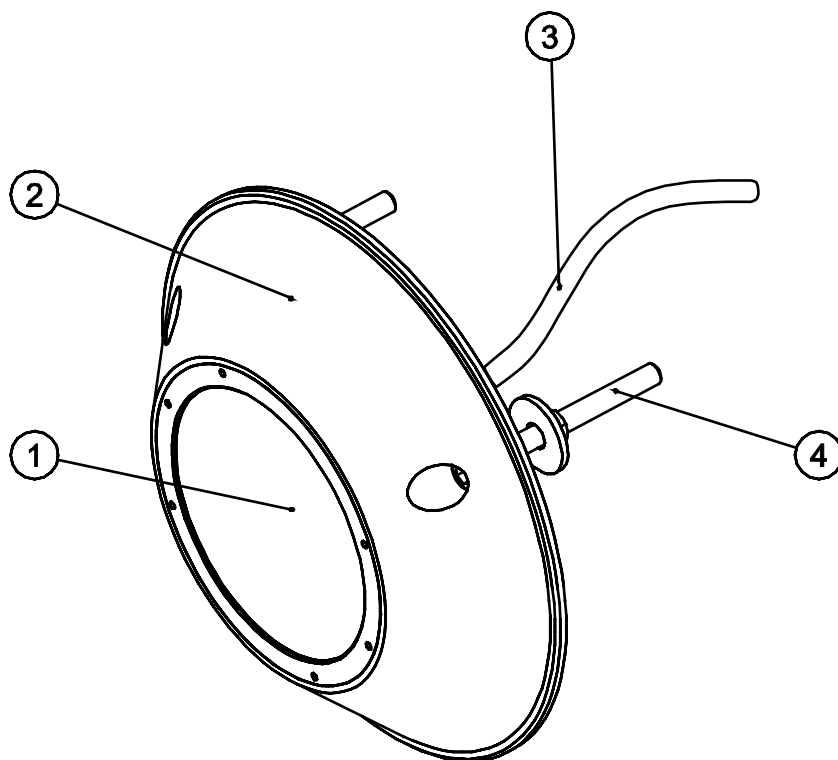
- Aluminium Bronze or Anodized Aluminium Casing
- 18 Power LEDs Design
- White, Blue, Green or Three-Color Lighting
- Tempered Glass Optical Window
- High-Efficiency Lens
- Low Power Consumption
- Over-Temperature Protection
- Simple Installation
- Remote Control (optional)

## PRECAUTIONS

- The underwater light has to be installed and used in accordance with the instructions of this manual only.
- The power supply has to be disconnected before installation.
- The underwater light is recommended to be installed around 0.2 m below the waterline for the best illumination and to avoid overheating.
- Do not try to install or remove the underwater light while the vessel is in the water.
- The optical window has to be cleaned by a soft brush or cloth. Avoid using any abrasive or chemical cleaner on the optical window.
- Avoid installing the power supply unit in extremely hot places and near appliances generating strong magnetic fields.
- Do turn power off immediately and refer servicing to qualified service personnel if the underwater light does not operate normally following the operating instructions.

# CONTROLS AND CONNECTORS

## Underwater Light CONVEX MSR18240



**(1) Optical window**

The 6 mm depth tempered glass optical window.

**(2) Underwater light casing**

Aluminium bronze or anodized aluminium casing with fixing holes and cable gland.

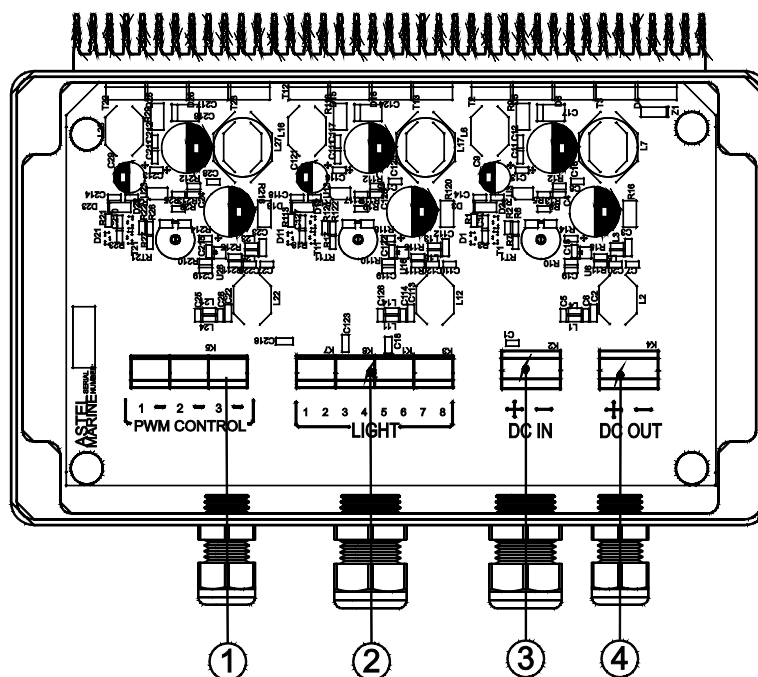
**(3) Cable**

The 8-pole multi-core cable to connect the power supply unit.

**(4) Fixing screw**

The fixing screws to fix the underwater light on the hull.

## Power Supply Unit MPS061000 / MPS061500



### (1) CONTROL

Terminal-block connector to connect optional remote control unit or switch.

### (2) LIGHT

Terminal-block connector to connect the LED underwater light using 8-pole multi-core cable.

### (3) DC IN

Terminal-block connector to connect 24Vdc power supply.

### (4) DC OUT

Terminal-block connector to connect to the DC IN connector of another power supply unit.

## INSTALLATION

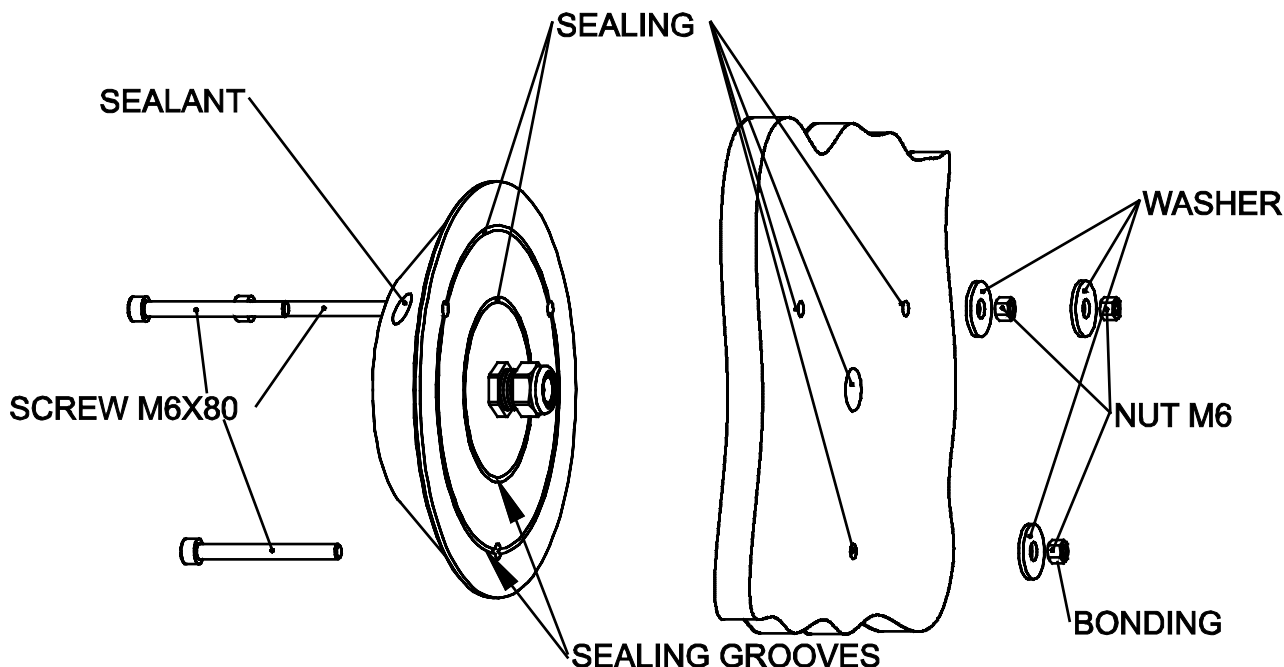
The underwater light kit consists of the following components:

- Underwater Light CONVEX MSR18240
- Power Supply Unit MPS061000 / MPS061500
- 3 x fixing screw M6x80 with nut M6 and washer
- 2 x cable gland M12
- Operating Instructions with Declaration of Conformity and Warranty conditions

### Underwater Light CONVEX MSR18240

The CONVEX MSR18240 has to be installed on a flat surface on the stern of the hull of the vessel. Do not try to install the underwater light while the vessel is in the water.

When the installation is finished briefly test the underwater light prior to launching the vessel. The installation have to be realized by a qualified personnel.



**Note:**

- ***Avoid using the underwater light out of the water for more than 5 minutes. The underwater light is protected by a temperature sensor against over-heating. When the temperature of the underwater light exceeds 60°C the power supply unit starts to reduce the current of the LEDs. If the temperature of the underwater light exceeds 90°C the underwater light is automatically switched off.***

**Hull preparation**

The underwater light is recommended to be installed around 0.2 m below the waterline for the best illumination and to avoid over-heating.

To fix the underwater light with screws M6x80 the diameter of holes drilled into the hull has to be 6 mm. The diameter of the hole for cable gland drilled through the hull has to be around 17 mm.

**Sealing**

Before inserting the cable with gland through the hole the sealant has to be used into the grooves, around the three fixing holes and around the gland in the rear surface of the underwater light.

The sealant has to be added to the exposed inner hole surface from the inside of the hull around the gland. The sealant can be on silicon basis but the best solution is two-component polymer sealant.

**Fixing**

The cable with gland has to be inserted through the hole from outside of the hull.

The underwater light has to be fixed with three screws M6x80 with nuts M6 and washers.

**Note:**

- ***All the stainless steel fixing screws (M6x80) it is highly recommended to be sealed in the contact with underwater light casing by optional TEF-GEL™ waterproof paste (not included) to prevent galvanic corrosion.***
- ***To install the underwater light on the steel hull it is highly recommended to use the optional isolation board (not included) between the hull and underwater light casing to prevent galvanic corrosion.***

**Note:**

- ***Do not overtighten the screws as this can result in hull or underwater light damage.***

## Bonding

The underwater light has to be connected to the vessels bonding and cathodic protection using a pre-tinned wire a minimum of 8 AWG (8.36 mm<sup>2</sup>) with green insulation or green with a yellow stripe. The wire has to be connected to the underwater light by the help of one screw M6x80 and connected to that screw from the inside of the hull.

### Note:

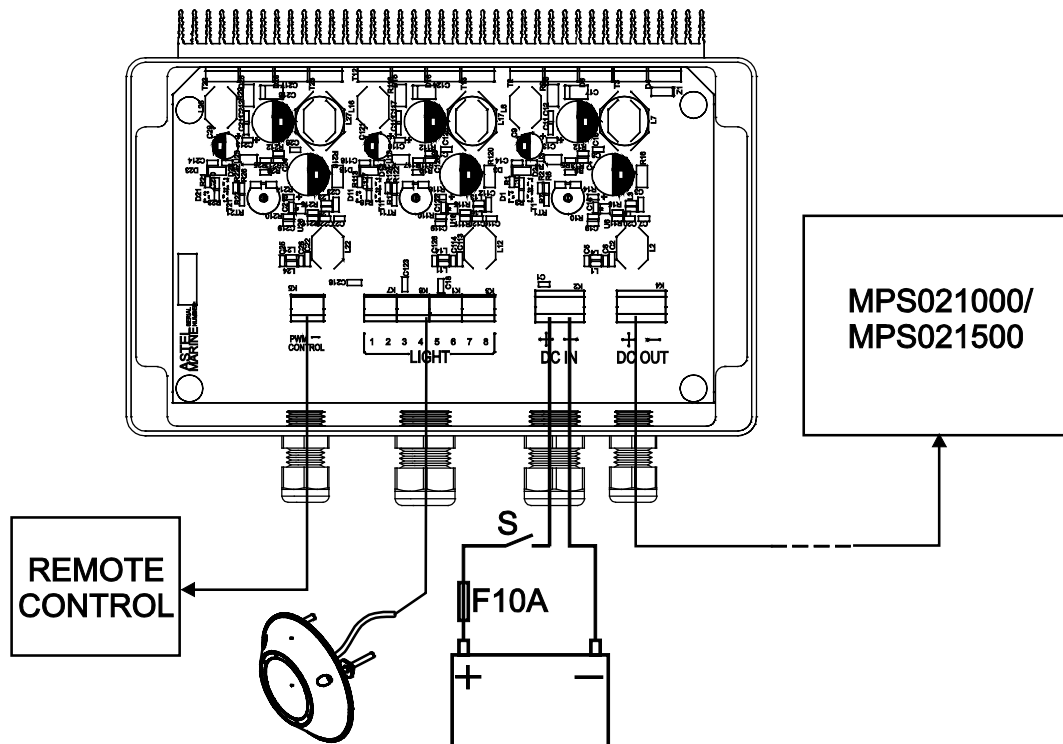
- **At the anodized aluminium casing the anodized layer has to be removed in the contact point with the wire.**

### Note:

- **It is highly recommended to paint the entire underwater casing exposed to the water with anti-foul paint but at the anodized aluminium casing with epoxy paint first and then with anti-foul paint.**
- **The optical window is protected with foil which has to be removed after anti-fouling process.**

## Power Supply Unit MPS061000 / MPS061500

The MPS061000 / MPS061500 has to be installed near the underwater light inside of the vessel. Avoid the installation in extremely hot places and near appliances generating strong magnetic fields. An extension cable can be used in case of longer distance between the underwater light and the power supply unit but with suitable length and thickness. The installation have to be realized by a qualified personnel.



### Note:

- **The main DC power supply of the vessel has to be switched off before installation.**

## Power supply connection

The power supply has to be connected through the switch (not included) and protected by a fuse (not included) to the DC IN terminal-block connector with correct polarity. The power supply voltage has to be from 20 - 30Vdc.

A power supply unit of another underwater light can be connected to the DC OUT terminal-block connector.

**Note:**

- **Only one additional power supply unit of the same model number can be connected to the DC OUT terminal-block connector and suitable power supply cable should be used. The appurtenant cap should be removed from the casing and enclosed cable gland M12 should be inserted.**

**Underwater light connection**

The underwater light has to be connected to the LIGHT terminal-block connector as described in the table below:

MPS061000 / MPS061500 terminal-block connector LIGHT	CONVEX MSR18240 wire colour	FUNCTION
1	Brown	LED1+
2	Blue	LED1-
3	Orange	LED2+
4	Violette	LED2-
5	Yellow	LED3+
6	Green	LED3-
7	Red	Temperature sensor +
8	Black	Temperature sensor -

**Remote control connection**

Remote control (optional) can be connected to the PWM CONTROL terminal-block connectors to turn-on and turn-off and to control the luminosity of the underwater light. Each color of the underwater light is possible to control separately.

To remotely turn-on and turn-off the underwater light the simple switch (not included) can be used and connected in parallel to the 1, 2 and 3 PWM CONTROL terminal-block connectors by a 2-pole signal cable (not included).

To remotely turn-on and turn-off each color separately 3 switches have to be used and connected separately to the PWM CONTROL terminal-block connectors by the 2-pole signal cables (not included).

MPS061000 / MPS061500 terminal-block connector PWM CONTROL	CONVEX MSR18240 three – color models	CONVEX MSR18240 single – color models
1	Green Control Input	not used
-	GND	not used
2	White/Red Control Input	not used
-	GND	not used
3	Blue Control Input	Control input
-	GND	GND

**Note:**

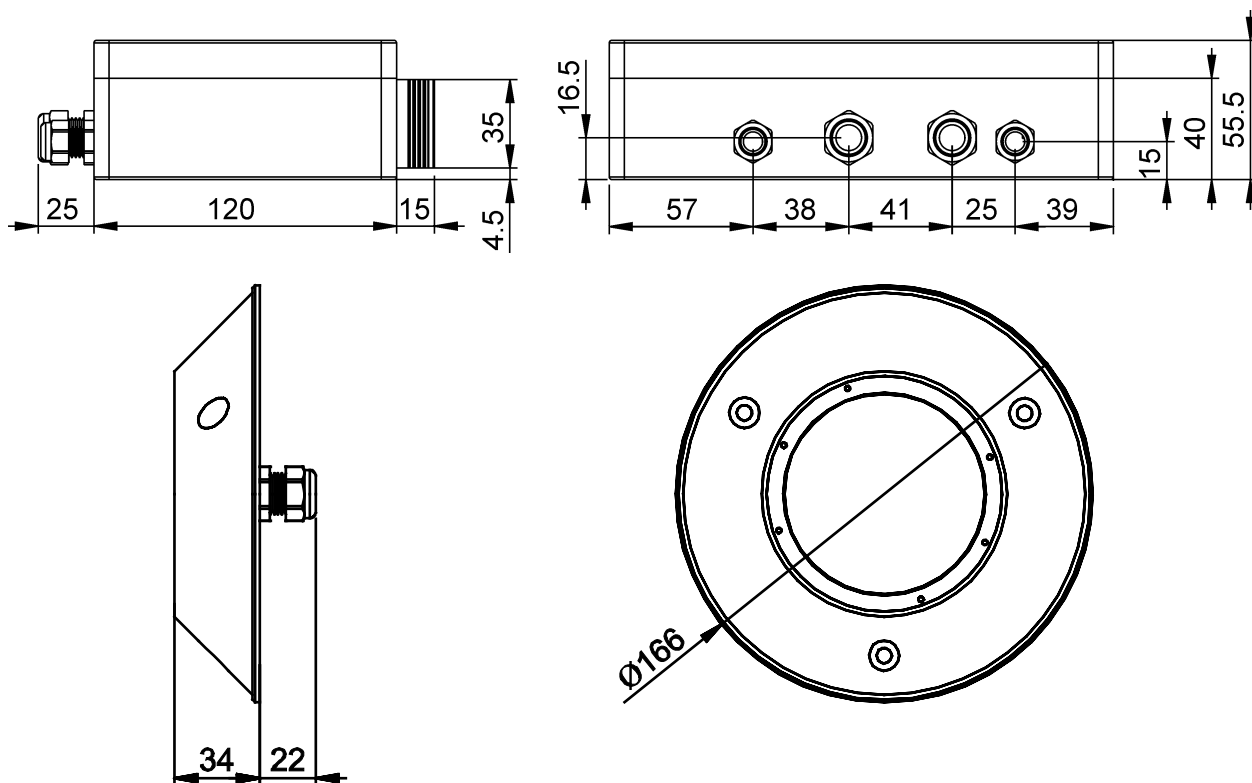
- **To connect the 2-pole signal cable the appurtenant cap should be removed from the casing and enclosed cable gland M12 should be inserted.**

**Note:**

- **If remote control is not used for normal operation all the 3 pairs of contacts of PWM CONTROL terminal-block connector has to be bridged.**



## APPEARANCE



## TECHNICAL SPECIFICATIONS

### LED Underwater Light CONVEX MSR18240

Power requirement	3x1 A / 3x1.5 A
Lens angle	50°
Optical window	6 mm depth tempered glass
Luminous flux	9.000 lm
White color temperature	6.000 - 10.000 K
Operating temperature	-10°C - +50°C
Casing	Aluminium bronze (AB2) or anodized aluminium
Protection	IP 68
Dimensions	Ø166x56mm
Weight	2.8 kg (bronze) / 1.1 kg (aluminium)

### Power Supply Unit MPS061000 / MPS061500

Input voltage	24 Vdc
Consumption	max. 5 Adc
Operating temperature	-10°C - +50°C
Casing	ABS
Protection	IP 65
Dimensions	200x160x55.5mm
Weight	0.6 kg

*Design and specifications subject to change without notice.*

## WARRANTY

1. The equipment manufactured by ASTEL d.o.o. is warranted to be free from defects in workmanship and materials under normal use and service.
2. This Warranty is in effect for of two years from the date of purchase by the user. Proof of purchase must be included, to establish that it is inside the warranty period.
3. This Warranty is transferrable and covers the product for the specified time period.
4. In case any part of the equipment proves to be defective, other than those parts excluded in paragraph 5 below, the owner should do the following:
  - (a) prepare a detailed written statement of the nature and circumstances of the defect, to the best of the Owner's knowledge, including the date of purchase, the place of purchase, the name and address of the installer, and the Purchaser's name, address and telephone number;
  - (b) the Owner should return the defective part or unit along with the statement referenced in the preceding paragraph to the warrantor, ASTEL d.o.o., or an authorized distributor, postage/shipping prepaid and at the expense of the Purchaser;
  - (c) if upon the Warrantor's or authorized distributor's examination, the defect is determined to result from defective material or workmanship, the equipment will be repaired or replaced at the Warrantor's option without charge, and returned to the Purchaser at the Warrantor's expense;
  - (d) no refund of the purchase price will be granted to the Purchaser, unless the Warrantor is unable to remedy the defect after having a reasonable number of opportunities to do so. Prior to refund of the purchase price, Purchaser must submit a statement in writing from a professional boating equipment supplier that the installation instructions of the Operating Instructions manual have been complied with and that the defect remains;
  - (e) warranty service shall be performed only by the Warrantor, or an authorized distributor, and any attempt to remedy the defect by anyone else shall render this warranty void.
5. There shall be no warranty for defects or damages caused by faulty installation or hook-up, abuse or misuse of the equipment including exposure to excessive heat, salt or fresh water spray, or water immersion except for equipment specially designed as waterproof.
6. There shall be no responsibility or liability whatsoever on the part of the Warrantor or its employees and representatives for injury to any person or persons, or damage to property, loss of income or profit, or any other consequential or resulting damage or cost which may be claimed to have been incurred through the use or sale of the equipment, including any possible failure or malfunction of the equipment, or part thereof.
7. The Warrantor assumes no liability for incidental or consequential damages of any kind including damages arising from collision with other vessels or objects.

# DECLARATION OF CONFORMITY

according to IEC Guide 22 and EN 45014

*Manufacturer's Name:* ASTEL, Podjetje za projektiranje, proizvodnjo in trgovino, d.o.o.

*Manufacturer's Address:* Dutovlje 138  
6221 Dutovlje  
Slovenija

declares that the products

*Item, Product Name and Model Number:* 1. Underwater Light CONVEX MSR18240 with Power Supply Unit MPS061000 / MPS061500

conform to the following Product Specifications:

*EMC:* EN 55015:2006 + A1:2007  
EN 61547:1995 + A1:2000 + A2:2009  
EN 61547:2009

*Safety:* EN 60950-1:2006+A2:2013  
EN 60529:1992+A2:2013

Supplementary Information:

The products herewith comply with the requirements of the following Directives and carry the CE-marking accordingly:

- the EMC Directive 2004/108/EC
- the Low Voltage Directive 2006/95/EC

ASTEL d.o.o.  
Dutovlje 138  
6221 Dutovlje  
Slovenija

12<sup>th</sup> September, 2014

**ASTEL d.o.o., Dutovlje 138, 6221 Dutovlje, Slovenia**  
**Tel: +386 5 7310771, +386 5 7310772**  
**Fax:+386 5 7310789**  
**E-mail: [info@astel-marine.com](mailto:info@astel-marine.com)**  
**Web: [www.astel-marine.com](http://www.astel-marine.com)**