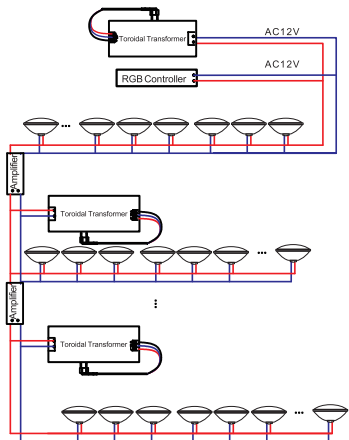


Remark: RGB signal is strong enough within 100 meters wire and 1 RGB controller could connect 20 pcs lamps, in case above 20 pcs lamps, use Amplifier to enhance the signal, 1 Amplifier could connect 10 pcs lamps, make sure the power wire is big enough to carry enough voltage(12V AC) in order to avoid voltage drop, see connection diagram as below.

➤➤ **Step 1**



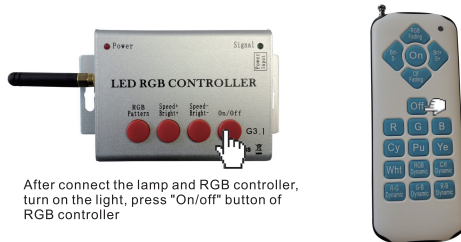
➤➤ **Step 2/3**



In order to avoid any interruption of RGB remote control system from neighbor/near area, please do following 2 steps.

Step (1): Remote controller match code with RGB controller, connect the lamps & RGB controller, turn on power.

Press "on/off" button of RGB controller, within 3 seconds press button "off" of remote at the same time. RGB controller will beep in 3-5 seconds, then another longer beep appear, match-code between RGB controller and remote will be finished.

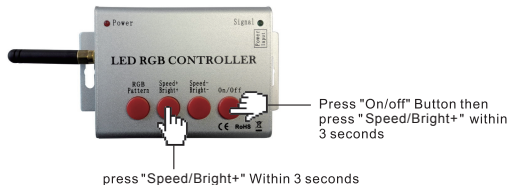


After connect the lamp and RGB controller, turn on the light, press "On/off" button of RGB controller

Within 3 seconds press "off" at the same time

Step(2) RGB controller match code with lamp

Press "on/off" button, within 3 seconds press "Speed/Bright +" button, all the lamps will change color "Red" → "Green" → "Blue", then release the button.



Press "On/off" Button then press "Speed/Bright+" within 3 seconds

press "Speed/Bright+" Within 3 seconds

Connection Diagram : RGB Remote control (with RGB controller)

Simply connect live and neutral wires onto any one of screw terminal on base of the lamp.

Step 1: assemble lamp into housing/fixture/niche

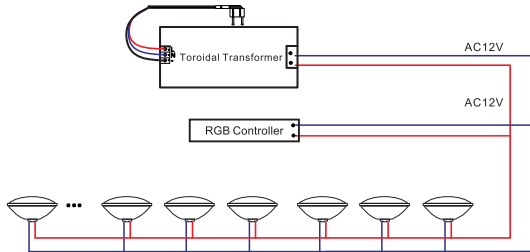
Step 2: connect RGB controller to power line as below diagram

Step 3: connect lamps to power line as below diagram

>>> Step 1



>>> Step 2\3



RGB Controller



Amplifier



Remote



(A) Remote controller Instruction

Button/Key	Function	Button/Key	Function
On	On	Cy	Cyan
Brt- S-	Decrease Brightness/Speed	Pu	Purple
Brt+ S+	Increase Brightness/Speed	Ye	Yellow
RGB fading	Fading: R-G-B	Wht	White
Clf fading	Colorful fading	RGB dynamic	Dynamic changing: R-G-B
Off	Off	Clf dynamic	Dynamic colorful changing
R	Red	R-G dynamic	Dynamic changing: R-G
G	Green	G-B dynamic	Dynamic changing: G-B
B	Blue	R-B dynamic	Dynamic changing: R-B

(B) RGB Controller Instruction

Button Function	Button Function
On/off: switch on/off	Speed/Brightness +: increase speed or brightness
Speed/Brightness -: decrease speed or brightness	RGB Pattern: change RGB pattern